

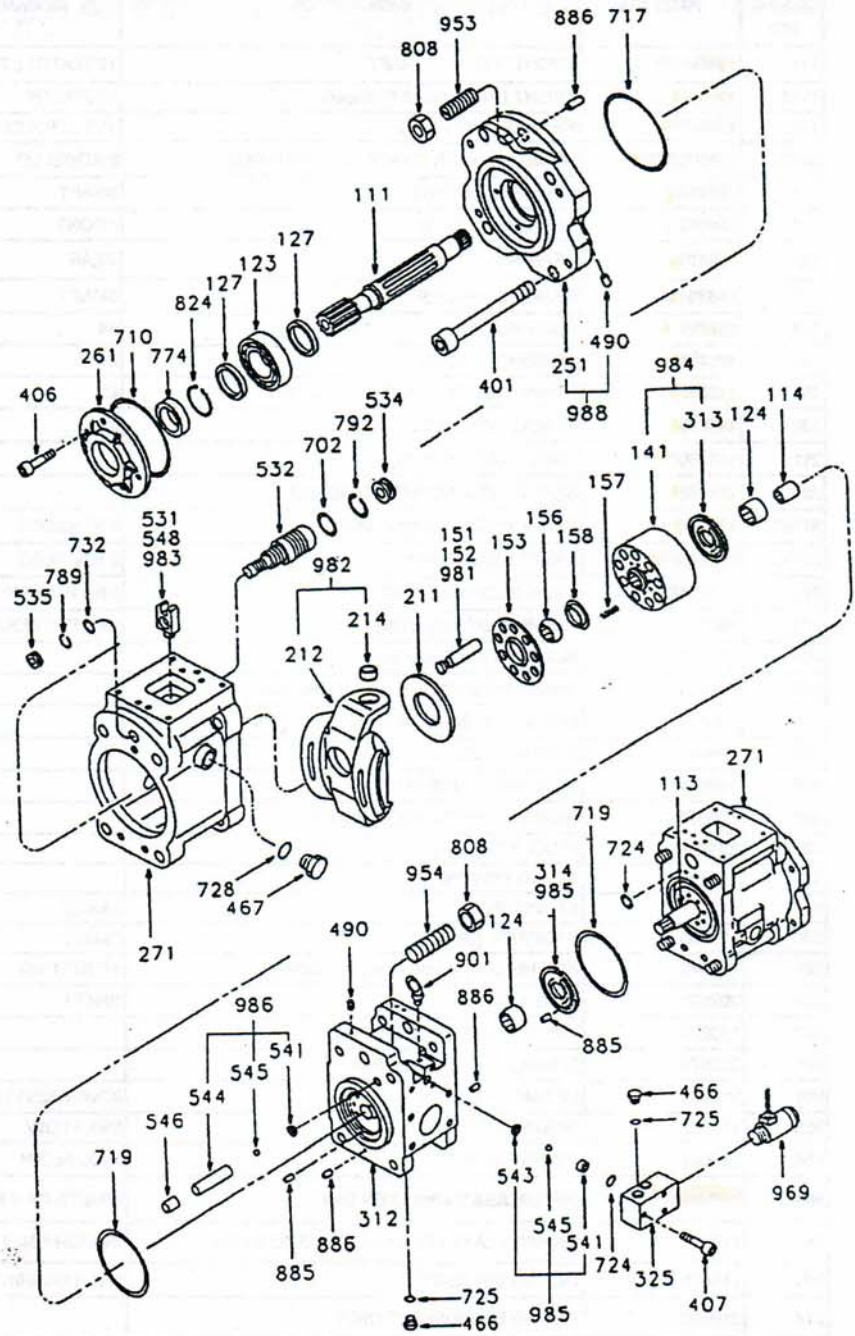
■ K3V112DT - PART LIST ■

HPC98-MPG-001

지시번호 KEY NO.	부품번호 PART NO.	도면 및 규격 DWG. NO. & SPEC.	부품명 DESCRIPTION	수량 Q'ty	비고 REMARKS
111	124568A	2933800774C	.DRIVING SHAFT(F)	1	
111	135323	2933800982A	.DRIVING SHAFT(F)	1	9N24-1, 9N2A-1
113	124569A	2933800883B	.DRIVING SHAFT(R)	1	
114	113783A	2953801763	.SPLINE COUPLING	1	
123	219362	PNUP308K	.BEARING ROLLER	2	
124	219363	RNA6906	.BEARING NEEDLE	2	
127	113784A	51000280A	.BEARING SPACER	4	
* 984	704545-PH	2953801893	..CYL' D BLOCK ASS' Y(R)	1	
141	113804	2933800787	..CYL' D BLOCK	1	
313	115798A	2933800207	..VALVE PLATE(R)	1	
* 985	704548-PH	2953801894	..CYL' D BLOCK ASS' Y(L)	1	
141	113804	2933800787	..CYL' D BLOCK	1	
314	115799A	2933800208	..VALVE PLATE(L)	1	
153	115786	2943800463	.PUSH PLATE	2	
156	121437	2953801765	.SPHERICAL BUSH	2	
157	134535	2953801769	.SPRING CYL' D	18	
158	113789	2953801764	.SPACER	2	
211	113790B	29588003B	.SHOE PLATE	2	
* 982	718421	2953801990	..SWASH PLATE KIT	2	
212	113780-1	2933800813	..SWASH PLATE	2	
214	218550	P3810004	..TILTING BUSH	2	
* 988	718424	-	..SUPPORT KIT	2	
251	113791A	2923800809	..SUPPORT	2	
490	134596	HE4E00641	..PLUG(NPTF1/16)	8	
261	113792	2943800464	..SEAL COVER(F)	1	
261	135322	2943800572	..SEAL COVER(F)	1	9N24-1, 9N2A-1
263	113793	2933800828	..REAL COVER	1	
271	113794B	2923800807	..PUMP CASING	2	
* 989	707849	-	..V/V BLOCK ASS' Y	1	
312	113795D	2923801021D	..VALVE BLOCK	1	DHI
312	113795E	2923801021E	..VALVE BLOCK	1	SHI, HHI
490	224308	NPTF1/16	..PLUG	21	
401	113797	2953801767	..BOLT SOCKET	8	
406	200846	OSBM820	..BOLT SOCKET	4	
407	200837	OSBM655	..BOLT SOCKET	3	
466	108847	OVP14	..VP PLUG.	2	SHI, HHI
466	108848	OVP38	..VP PLUG.PF3/8	2	DHI
467	108847	OVP34	..VP PLUG.	2	
* 983	718418	2953801989	..TILTING PIN ASS' Y	2	
548	115792	2943800517	..TILTING PIN	2	

1-2. K3V112DT MAIN PUMP

메인펌프



■ K3V112DT - PART LIST ■

HPC98-MPG-002

지시번호 KEY NO.	부품번호 PART NO.	도면 및 규격 DWG. NO. & SPEC.	부품명 DESCRIPTION	수량 Q'ty	비고 REMARKS
531	113380	2953802202	..FEEDBACK PIN	2	
532	113798A	2943800462	.SERVO PISTON	2	
534	113799	2953801761	.STOPPER(L)	2	
535	113800	2953801762	.STOPPER(S)	2	
702	220019	4DG35	.RING-0	2	
710	204452	1BG95	.RING-0	2	
717	201639	1BG145	.RING-0	4	
725	201689	1BP11	.RING-0	8	
724	201765	1BP8	.RING-0	16	
726	201700	1BP14	.RING-0	2	
728	201721	1BP24	.RING-0	3	
732	220016	4DP18	.RING-0	2	
774	212231	P382001	.OIL SEAL. PTCV40V	1	
774	232117	P382001	.OIL SEAL. PTCV45V	1	9N24-1, 9N2A-1
789	203480	T2P18	.RING BACK UP	2	
792	203418	T2G35	.RING BACK UP	2	
806	201557	ORNM16	.NUT HEX(H3)	2	
808	102048	ORNM20	.NUT HEX(H3)	2	
824	202606	OSR40	.RING SNAP	2	
885	113801	PJ R812	.PIN.PJR812	2	
886	200678	OSPV614	.PIN SPRING	4	
901	212033	OEMB10	.BOLT EYE	2	
953	118892	PSSSM1630	.SCREW SET	2	
954	113803	2953801768	.ADJUST SCREW	2	
* 969	704546	V8701302622	.EPR V/V(CASING포함)	1	9C02/9N09
325	113808-1	2933800928	..V/V CASING(EPR V/V)	1	
* 969	707847	V9105150815	.EPR V/V	1	HNOP/HNOH
* 969	717530	31100-0091	.EPR V/V	1	HNOV
* 969	717426	HE2D00668	.EPR V/V	1	9C39
* 969	718865	31100-0063	.EPR V/V	1	9N24-1/9N2A-1
* 981	704543A	HE2D00298	.PISTON ASS'Y	18	
* 985	704550A	2953802048	.CHECK V/V 1.SUB ASS'Y	2	
* 986	704544A	2953802049	.CHECK V/V 2.SUB ASS'Y	2	
*	714027	2902440-0396	.GEAR PUMP.ZX10LG	1	10cc/rev
*	716247	2902440-0725	.GEAR PUMP.ZX15LG	1	15cc/rev
*	718283	2923801032	.REGULATOR, KR3G-9C02	2	
*	713948	2921290-0068	.REGULATOR, KR3G-HNOP	2	
*	718288	1042-02940	.REGULATOR, KR3G-9N02	2	
*	712809A	HE2B00179A	.REGULATOR, KR3G-HNOH	2	
*	717120	HE2B00204	.REGULATOR, KR3G-HNOV	2	
*	716218	HE2B00278	.REGULATOR, KR3G-9N09	2	DHI
*	716567	HE2B00279	.REGULATOR, KR3G-9N24-1	2	
*	716610	HE2B00280	.REGULATOR, KR3G-9N2A-1	2	
*	113815	2953801789	.FEED BACK LEVER(112)	2	