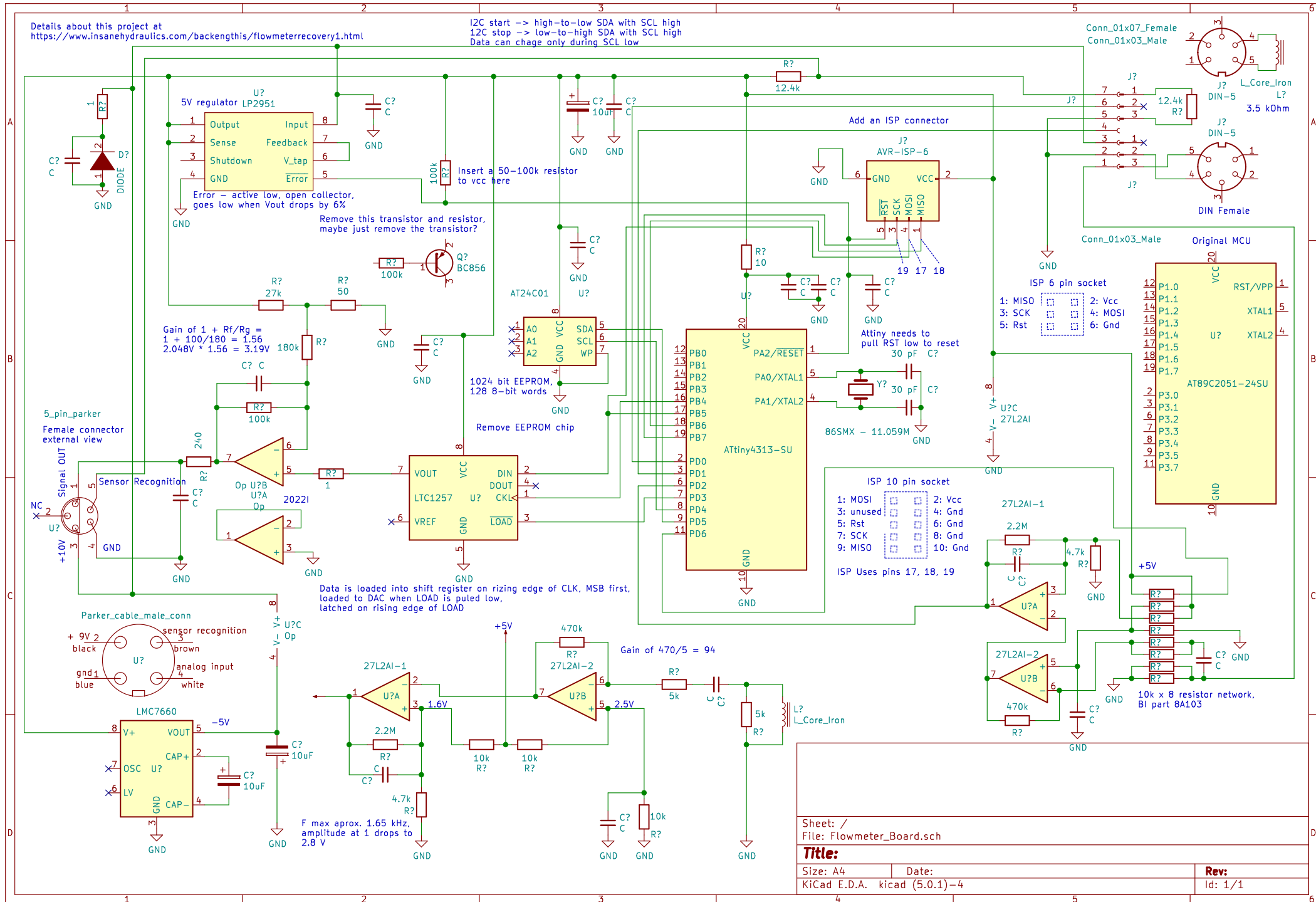


Details about this project at <https://www.insanehydraulics.com/backengthis/flowmeterrecovery1.html>

I2C start -> high-to-low SDA with SCL high
 I2C stop -> low-to-high SDA with SCL high
 Data can change only during SCL low



Sheet: /		Date:	
File: Flowmeter_Board.sch		Rev:	
Size: A4	KiCad E.D.A. kicad (5.0.1)-4	Id: 1/1	