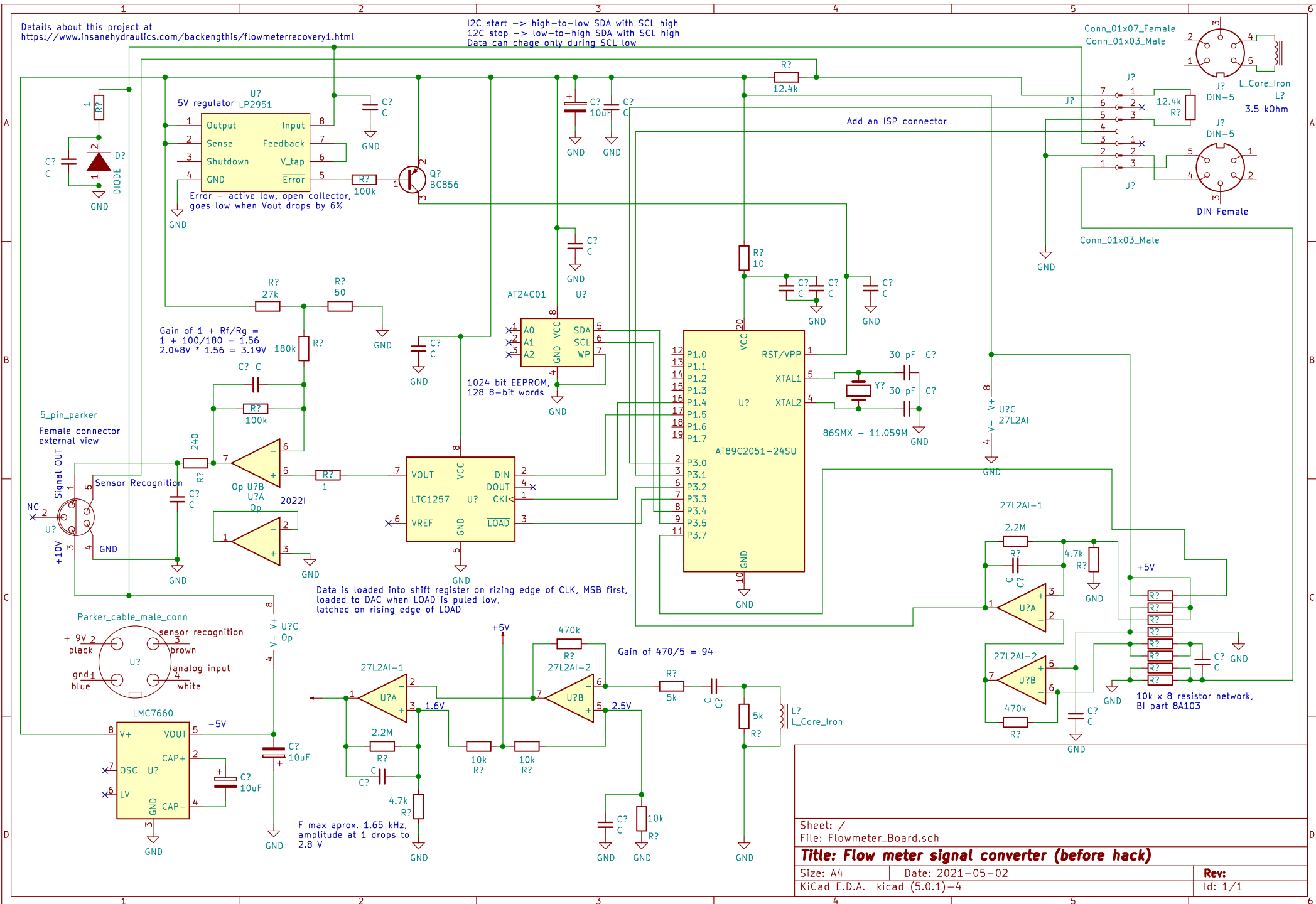


Details about this project at <https://www.insanehydraulics.com/backengthis/flowmeterrecovery1.html>

I2C start -> high-to-low SDA with SCL high  
 I2C stop -> low-to-high SDA with SCL high  
 Data can change only during SCL low



Sheet: /		Date: 2021-05-02	
File: Flowmeter_Board.sch		Rev:	
<b>Title: Flow meter signal converter (before hack)</b>		Id: 1/1	
Size: A4	KiCad E.D.A. kicad (5.0.1)-4		