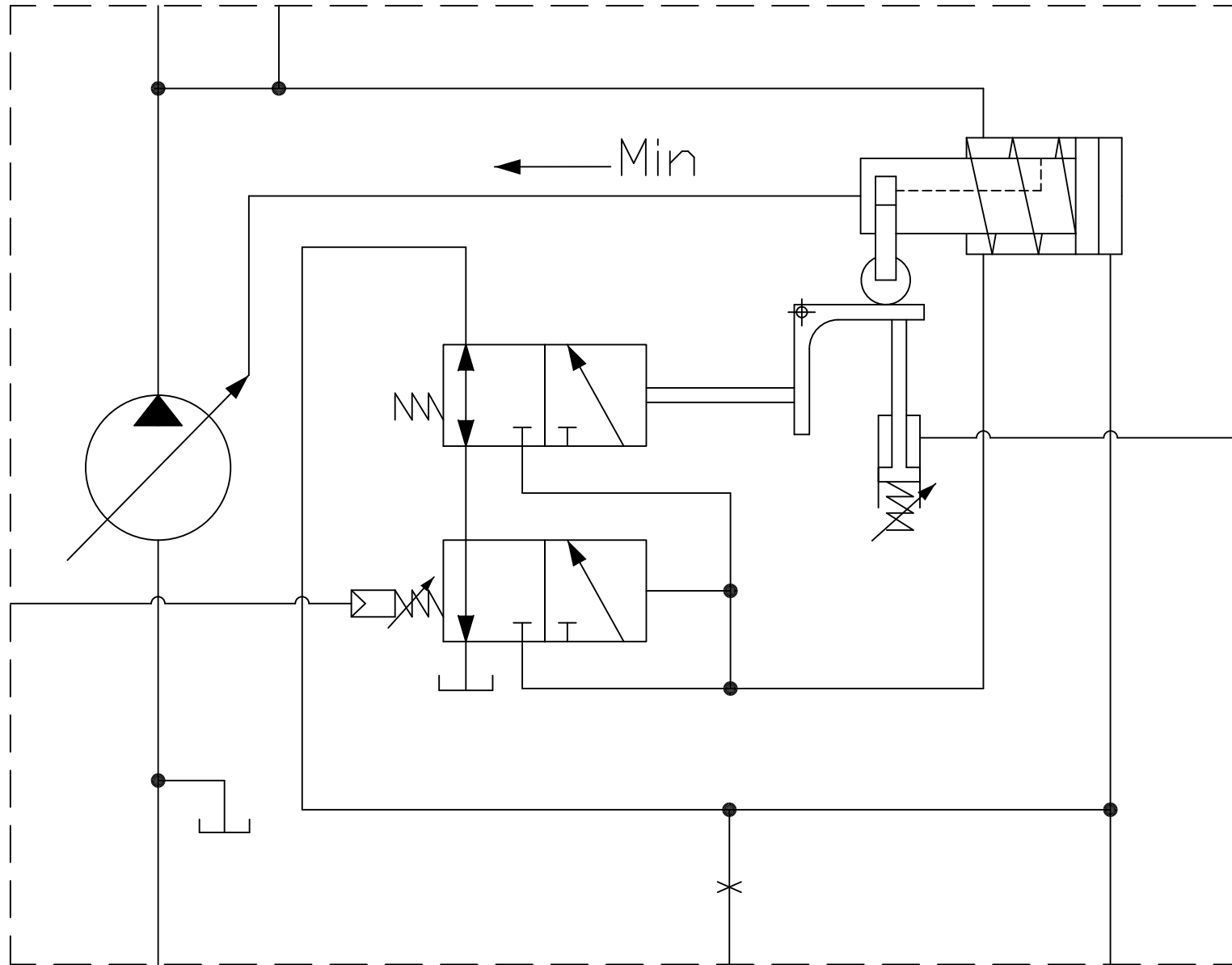


A1



← Min

NN

Torque limiter setting override (used for limiting sum of torque with another pump)

Pressure compensator setting override

T1

X3